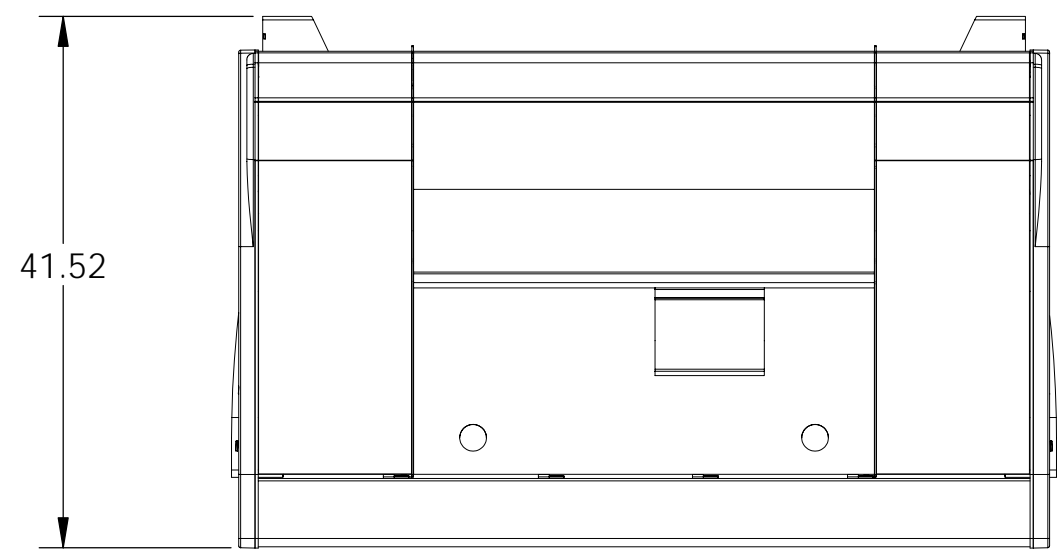
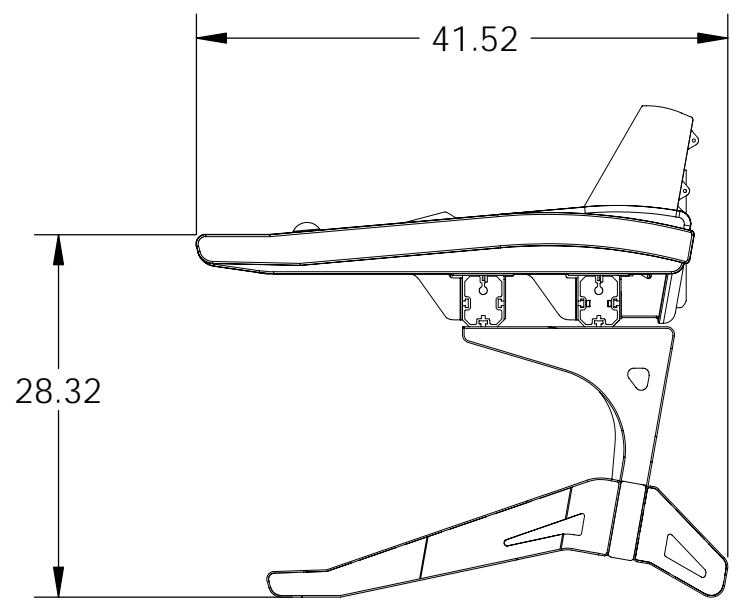
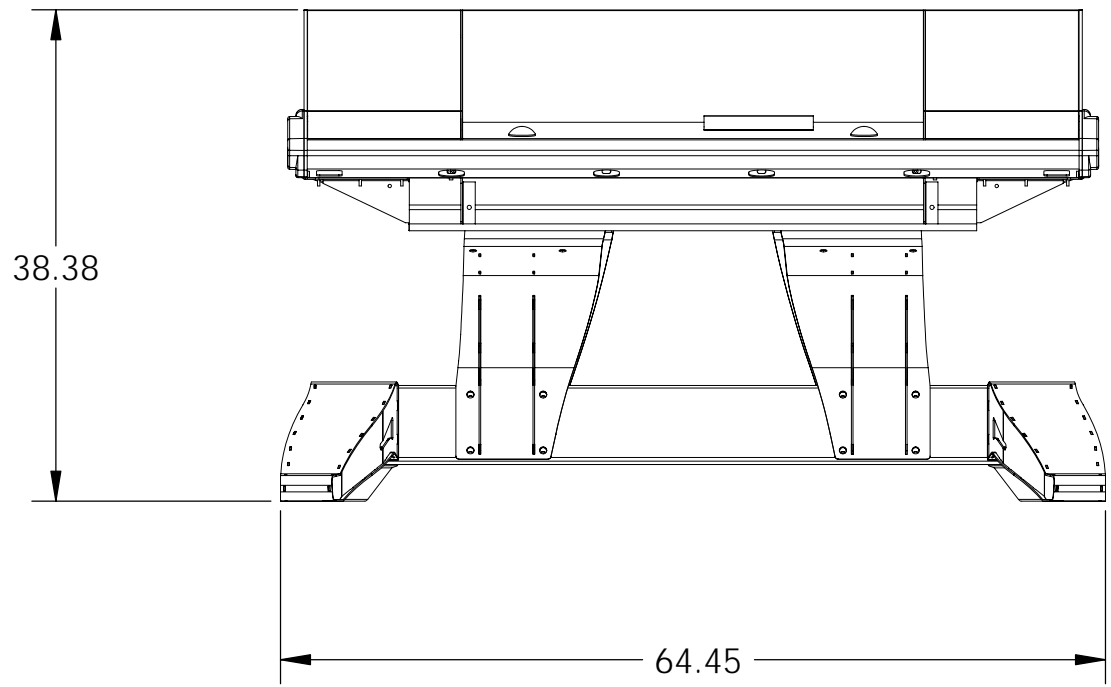


THE INFORMATION CONTAINED IN THIS DRAWING IS THE SOLE PROPERTY OF EUPHONIX INC. ANY REPRODUCTION IN PART OR WHOLE WITHOUT THE WRITTEN PERMISSION OF EUPHONIX IS PROHIBITED.

REVISIONS			
REV.	DESCRIPTION	DATE	APPROVED
	REL FOR REFERENCE ONLY	5/2/06	JMG



ADD 1/2" TO HEIGHT DIMENSIONS FOR LEVELING FEET



ITEM NO.	PART OR IDENTIFYING NO.	NOMENCLATURE OR DESCRIPTION	MATERIAL SPECIFICATION	QTY REQD
PARTS LIST				
UNLESS OTHERWISE SPECIFIED DIMENSIONS ARE IN INCHES TOLERANCES ARE:		CAD GENERATED DRAWING, DO NOT MANUALLY UPDATE		
FRACTIONS DECIMALS ANGLES		APPROVALS DATE		
N/A .XX±.01 ±.5°		DRAWN JMG		
MATERIAL		CHECKED		
FINISH		RESP ENG JMG		
NEXT ASSY USED ON		MFG ENG		
APPLICATION		QUAL ENG		
DO NOT SCALE DRAWING		SCALE: 1:15		

EUPHONIX		220 PORTAGE AVE PALO ALTO, CA 94306
S5MC FRAME 5-FOOT		
SIZE	DWG. NO.	A
CAD FILE: S5MC FRAME MASTER ASSEMBLY (5-foot)		SHEET 1 OF 1