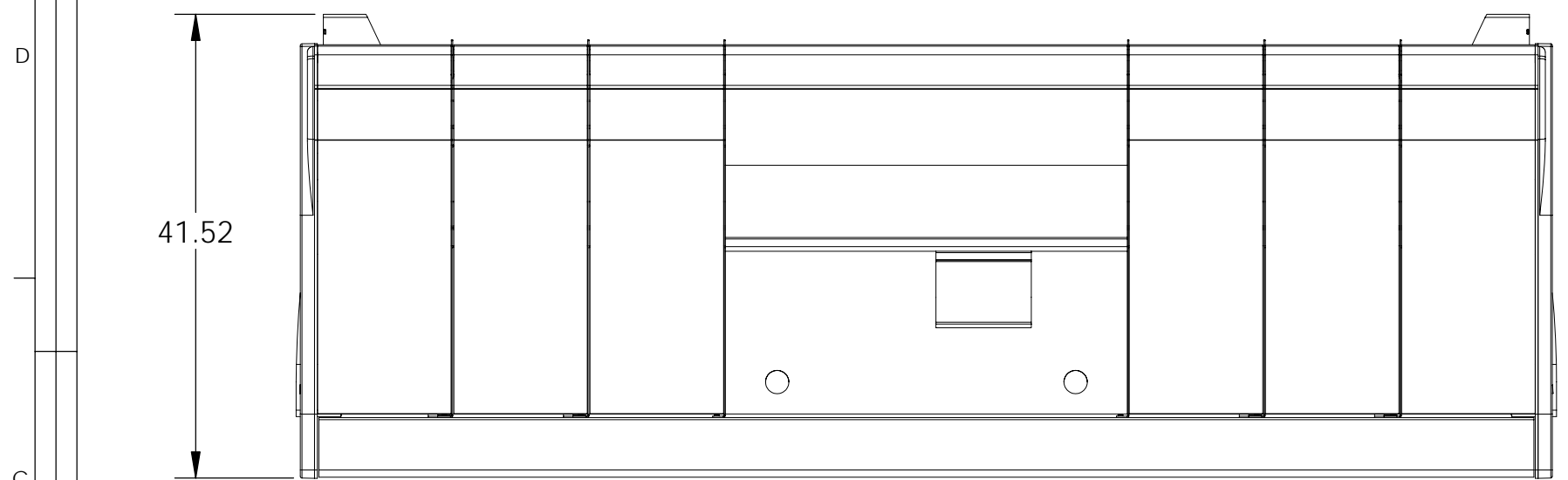
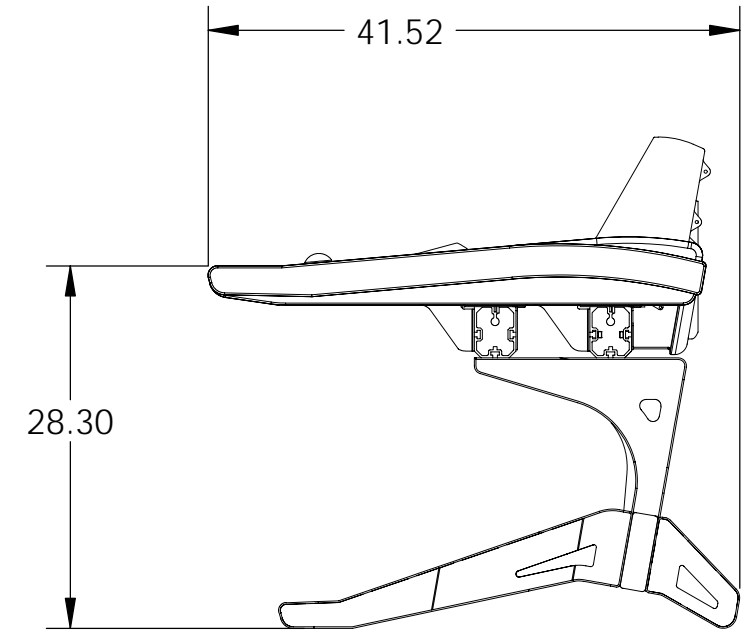
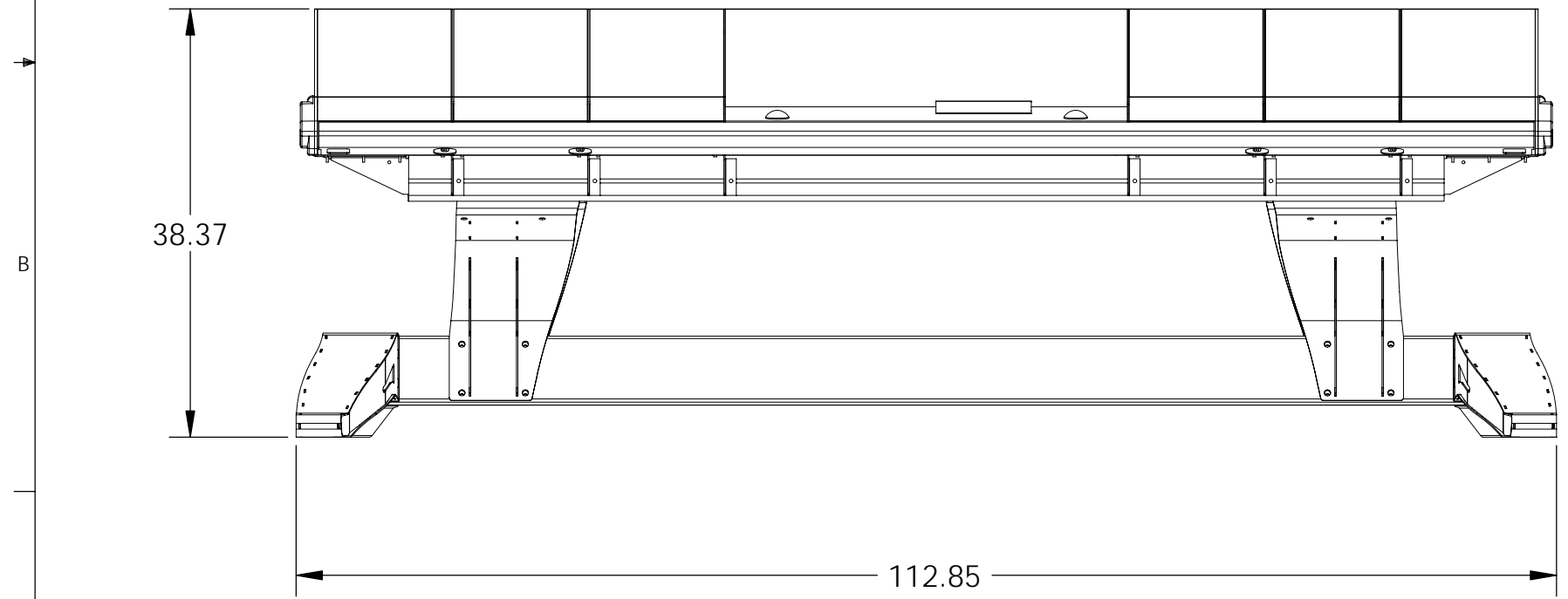


THE INFORMATION CONTAINED IN THIS DRAWING IS THE SOLE PROPERTY OF EUPHONIX INC. ANY REPRODUCTION IN PART OR WHOLE WITHOUT THE WRITTEN PERMISSION OF EUPHONIX IS PROHIBITED.

REVISIONS			
REV.	DESCRIPTION	DATE	APPROVED
	REL FOR REFERENCE ONLY	5/2/06	JMG



ADD 1/2" TO HEIGHT DIMENSIONS FOR LEVELING FEET



ITEM NO.	PART OR IDENTIFYING NO.	NOMENCLATURE OR DESCRIPTION	MATERIAL SPECIFICATION	QTY REQD
PARTS LIST				
UNLESS OTHERWISE SPECIFIED DIMENSIONS ARE IN INCHES		CAD GENERATED DRAWING, DO NOT MANUALLY UPDATE		
TOLERANCES ARE:		APPROVALS		
FRACTIONS	DECIMALS	ANGLES	DATE	
N/A	.XX±.01	±.5°	DRAWN	JMG
	.XXX±.005		CHECKED	
			RESP ENG	JMG
			MFG ENG	
			QUAL ENG	
NEXT ASSY	USED ON	FINISH	SIZE DWG. NO.	
			REV.	
APPLICATION	DO NOT SCALE DRAWING		CAD FILE: S5MC FRAME MASTER ASSEMBLY (9-foot)	
			SCALE: 1:15	SHEET 1 OF 1

EUPHONIX
220 PORTAGE AVE PALO ALTO, CA 94306

S5MC FRAME 9-FOOT