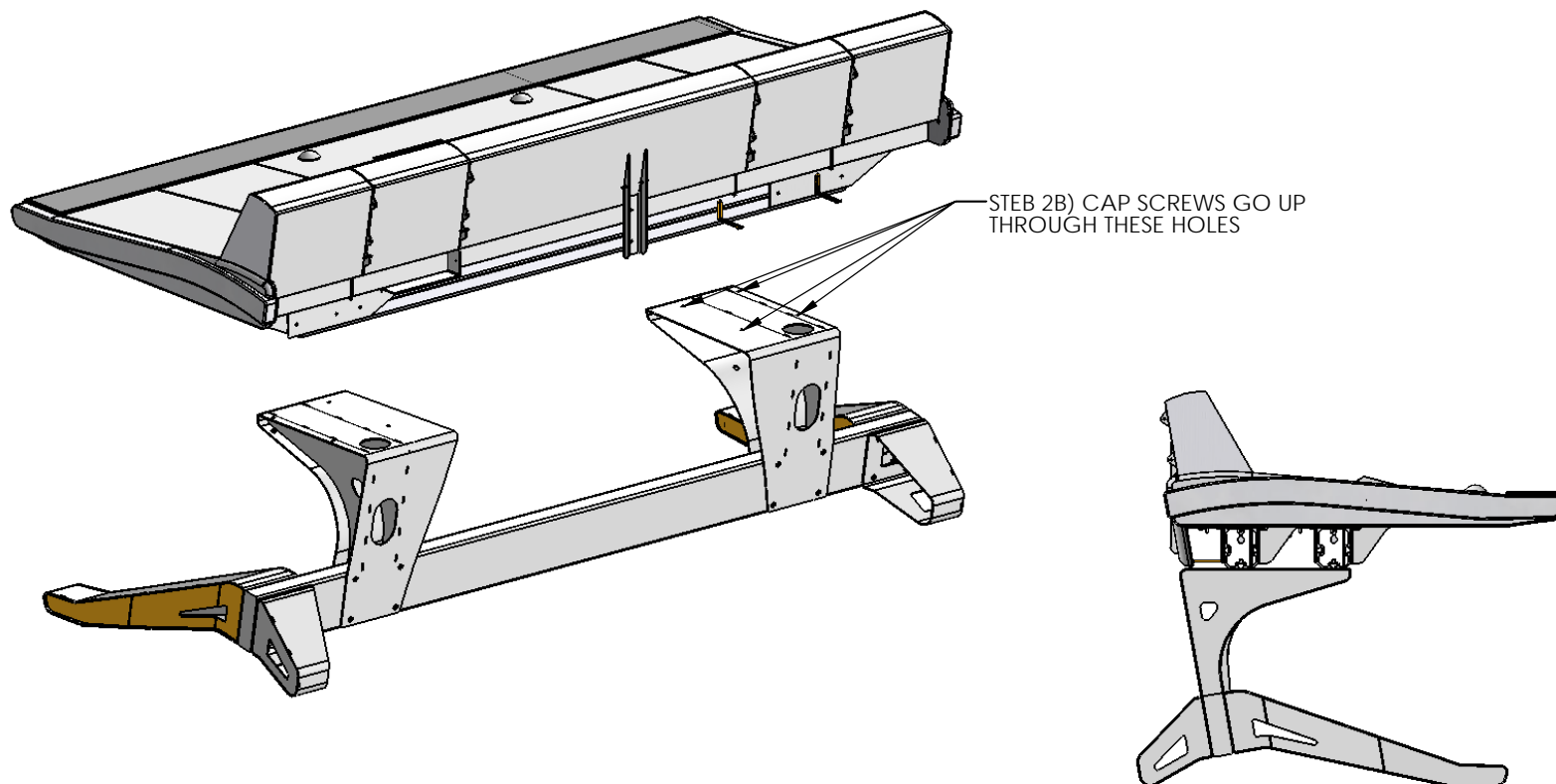


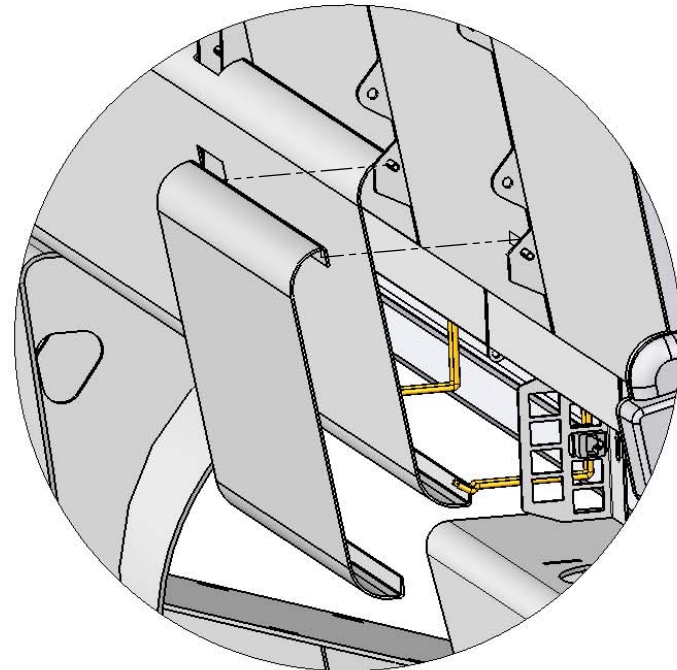
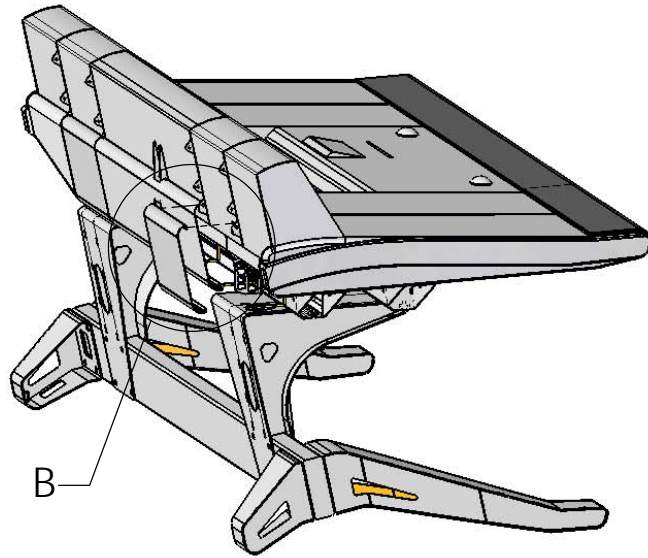
STEP 1:  
ASSEMBLE LEGS TO BASE ASSEMBLY.  
THIS MIGHT BE A GOOD TIME TO THREAD THE ETHERNET AND POWER  
UP THROUGH THE BASE, IF THAT IS DESIRED.  
USE 8 OF THE 1/2-13X3" BUTTONHEAD CAPSCREWS, 8 OF THE 1/2-13 NUTS  
AND 16 OF THE 1/2" WASHERS.

STEP 2:  
A) PLACE CONTROL SURFACE ON TOP OF LEGS. CENTER THE BEAMS ON THE FRAME.  
B) LOOSLY SCREW THE BEAMS TO THE LEGS, LOOSELY, USING THE T-NUTS IN THE BOTTOM OF THE BEAMS AND 8 OF THE 5/16-16X1/2" SOCKET HEAD CAP SCREWS.



STEP 2B) CAP SCREWS GO UP THROUGH THESE HOLES

STEP 3:  
AFTER TENDING ALL OF THE CABLES,  
HOOK AND CLIP THE BACK COVERS INTO POSITION.



DETAIL B  
SCALE 1 : 3